



## INSTALLATION INSTRUCTIONS

**PART#:** SMX-15100/15150/15200

**FITS:** Chevrolet/GMC

•Trucks & SUVs equipped with  
Air-Ride-Control

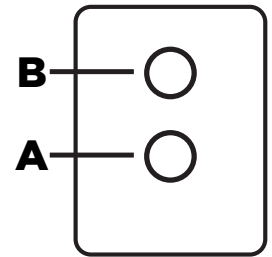
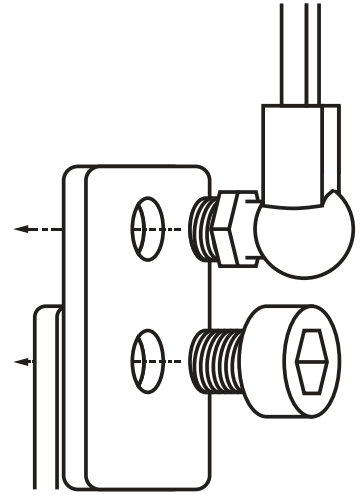
## INSTALLATION

1. Disconnect Air-Ride-Control linkage from bracket using a 10mm open end wrench. **(FIG 1.1)**
2. Bolt on relocation bracket with a 5mm allen wrench to hole **A**. Then relocate linkage arm into the bracket hole **B**.

**NOTICE: Do not overtighten**



**FIG. 1-2**



Questions? E-mail us at [tech@suspensionmaxx.com](mailto:tech@suspensionmaxx.com) or call 1.888.629.9226