



INSTALLATION INSTRUCTIONS

Product: Front and Rear Shock Extension Bracket Kit
Part Number: JKS9615

Applications: Gladiator JT, 2020-2021

877-533-7557 • jks@sporttruckusainc.com • www.jksmfg.com
491 W. Garfield Avenue, Coldwater, MI 49036

Welcome

CONGRATULATIONS on purchasing a set of new Shock Extension Brackets from JKS Manufacturing. We are committed to providing you with the best products available and your satisfaction is our first priority.

PLEASE READ these Installation Instructions carefully, and save them for future reference, as they contain important installation and maintenance information.

Tools Required

- Metric/Standard Socket Wrench Set
- Torque Wrench

Parts

	Description	QTY
A	Shock Extension Bracket- Driver's side	1
B	Shock Extension Bracket- Passenger's side	1
C	3/8"-16 x 1-1/4" Bolt	2
D	3/8"-16 Prevailing Torque Nut	2
E	3/8" SAE Washer	4
F	12mm-1.50 x 30mm Bolt	2
G	12mm-1.50 x 80mm Bolt	2
H	12mm Flat Washer	8
I	12mm-1.50 Prevailing Torque Nut	4
J	0.75" x .134" x 1.575" Sleeve	2
K	Rear Shock Extension Bracket	2
L	3/8"-16 x 1" Bolt	4
M	3/8"-16 Prevailing Torque Nut	4

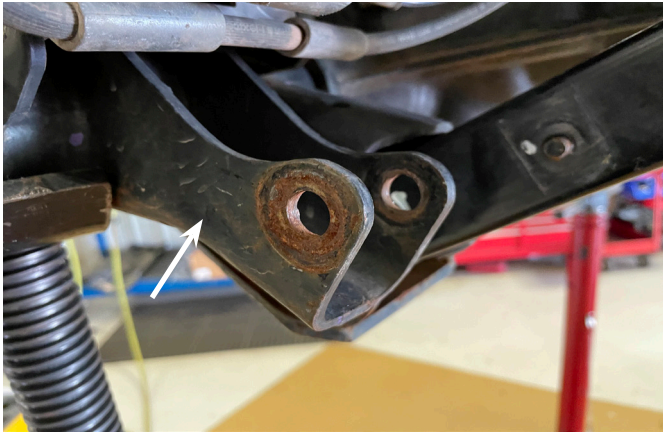
O	3/8" SAE Washer	8
P	9/16" SAE Extra Thick Washer	4
Q	14mm-2.00 x 90mm Bolt	4
R	14mm Flat Washer	8
S	14mm-2.00 Prevailing Torque Nut	4
T	0.75" x 0.090" x 1.575" x Sleeve	2

Installation

Front

1. PREPARATION

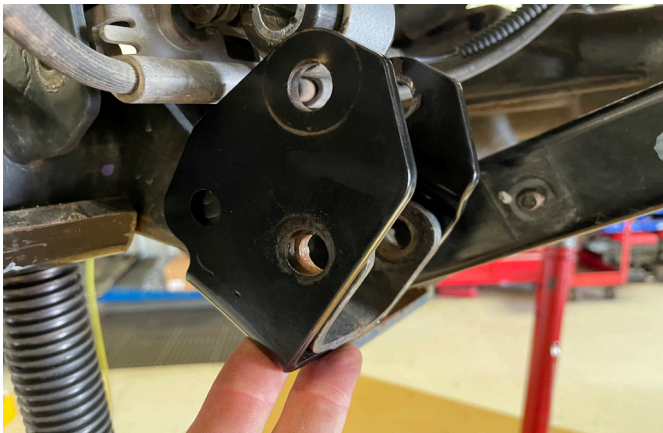
- Raise and support vehicle chassis with jack stands behind front lower control arm pockets.
- Support the front axle with a hydraulic jack and remove the front wheels and tires.
- Disconnect the front shocks from the axle, keep all hardware for reinstallation. Work on one side of the vehicle at a time.



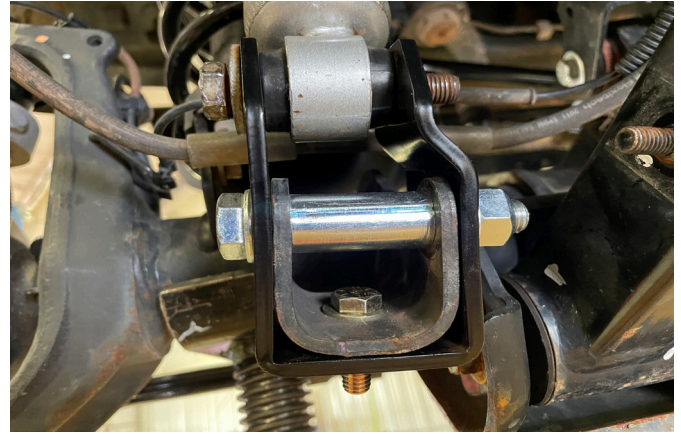
- Carefully lower the axle approximately 2 inches, making sure that no other components are binding or stretched.

□ 2. INSTALLATION

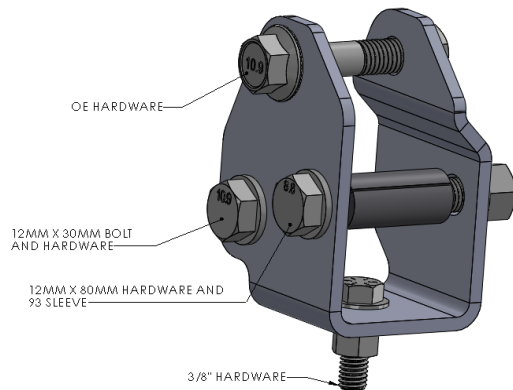
- The front shock extension brackets are side specific and stamped on the inside surface. 03568 is the driver's side bracket and 03569 is the passenger's side bracket.
- Slide the driver's side bracket on and mark the hole that needs to be drilled.



- Using a 1/2" drill bit, drill a hole in the marked location.
- Loosely install the bracket with the hardware included in bolt pack J159. Reference the figure below.



- Sleeve 93 will be used in the OE shock mounting position.



- Torque the 12mm hardware to 73 ft-lbs. Torque 3/8" hardware to 33 ft-lbs.
- Reinstall the shock into the shock extension bracket using the OE hardware. Torque to 74 ft-lbs.

□ 3. FINAL STEPS

- Reinstall the front wheels and tires, lower vehicle to ground.
- Torque lug nuts to 130 ft-lbs.
- Double check all hardware for proper torque.
- Check all fasteners after 500 miles and at regularly scheduled maintenance intervals.

Rear

□ 1. PREPARATION

- Raise and support vehicle chassis with jack stands in front of the rear lower control arm pockets.
- Support the rear axle with a hydraulic jack and remove the front wheels and tires.
- Disconnect the rear shocks from the axle. Work on one side of the vehicle at a time.



- Carefully lower the axle approximately 2 inches, making sure that no other components are binding or being stretched.

□ 2. INSTALLATION

- Slide the shock extension bracket over the OE lower shock mount and mark the location of the 2 holes that needs to be drilled.



- Using a 7/16" drill bit, drill two holes in the marked location.
- Loosely install the bracket with the hardware included in bolt pack J158. The 3/8" hardware will be used in the two holes that were drilled, one 14mm x 90mm bolt will be used in the OE shock location. The sleeve will be used in the OE shock location.



- Torque the 14mm hardware to 89 ft-lbs. Torque 3/8" hardware to 33 ft-lbs.
- Reinstall the shock into the shock extension bracket with one extra thick washer on either side of the bushing. Use the included 14mm x 90mm bolt, washers and nut. Torque to 89 ft-lbs.



□

□ 3. FINAL STEPS

- Re-install the rear wheels and tires, lower vehicle to ground.
- Torque lug nuts to 130 ft-lbs.
- Double check all hardware for proper torque.
- Check all fasteners after 500 miles and at regularly scheduled maintenance intervals.

©2015 JKS Manufacturing
Revision Date 2/15/2022